

SMART HOPPER

The SMART Hopper from Innovative Technology brings coin payment technology into the 21st Century.

Ideal for all machines, the SMART Hopper eliminates the need for multiple hoppers, sorters and reduces the cost of handling coins internally.

The SMART Hopper is a multi coin payout unit capable of accepting all coins passed through the coin mechanism. The host machine sets the desired coins needed for payout and transfers any unwanted coins into the cashbox. It also sets the desired float level before collection so all excess coins travel straight to the cashbox. The SMART Hopper pays out higher than conventional hoppers so customers no longer have to reach down to retrieve coins. This higher payout increases security and allows for easier design.

Operating at an industry leading 12 coins per second the SMART Hopper is the new solution to coin starvation.

Recommended Applications

- Automated change transactions
- Gaming, AWP
- Self Serve and Retail
- Vending
- Kiosk
- Parking and Ticketing

Options

- Coin dataset availability: full listing on our website

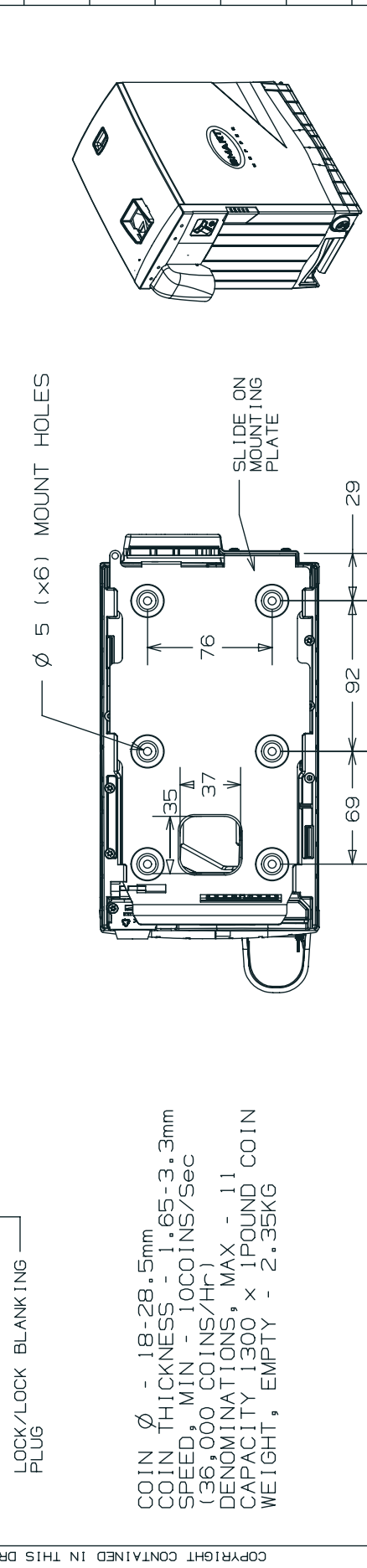
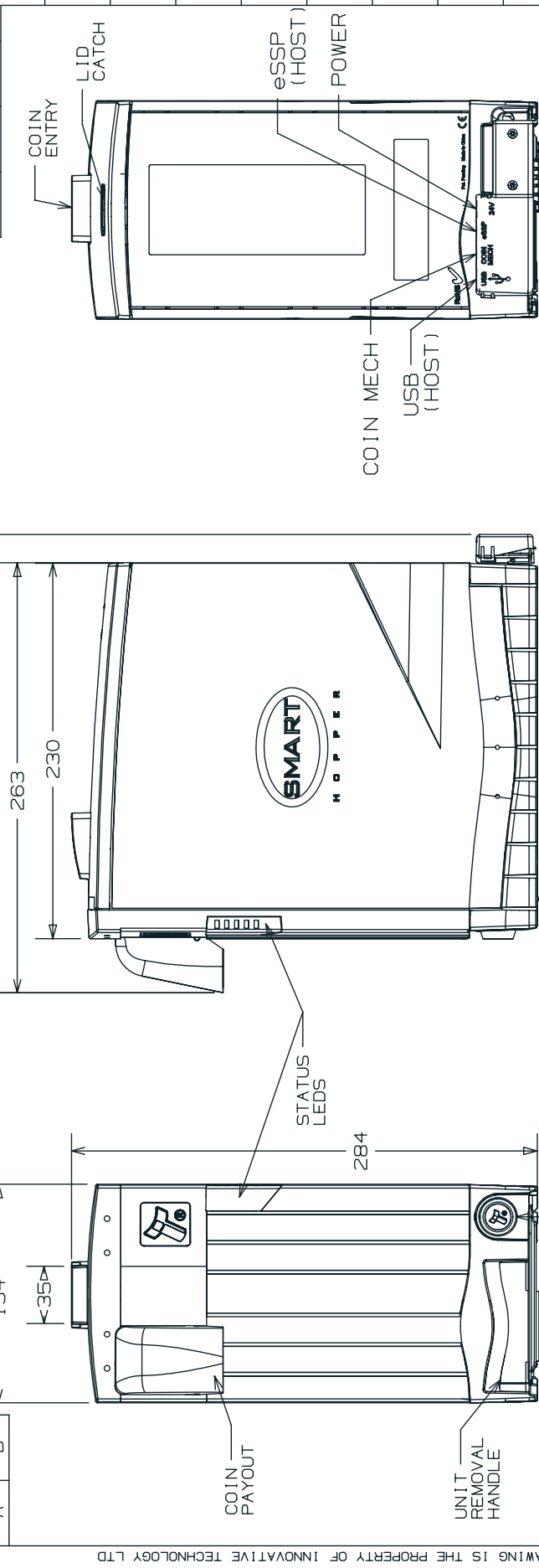


Features

- Collects, discriminates and stores coins for future payout
- Jam free, high-speed payout
- Secure unit, lockable to host machine
- Direct communication with coin mechanism. Host machine need only communicate with the SMART Hopper
- 'Best deal' - optimised payout selection
- Eliminates the need for coin sorters

Technical Data

- 1500 coin capacity (€1)
- 12 coins per second payout rate
- Compact dimensions: 280 x 230 x 134 mm
- Weight: 2.4 kg empty 13.7 kg full
- Power supply: 24V
- eSSP or ccTalk protocol
- Secure exit sensor
- USB on board
- Accepts coins 18 to 28.5 mm in diameter and 1.65 to 3.2 mm thick



COIN Ø - 18-28.5mm
 COIN THICKNESS - 1.65-3.3mm
 SPEED, MIN - 10COINS/Sec
 (36,000 COINS/Hr)
 DENOMINATIONS, MAX - 11
 CAPACITY 1300 x 1POUND COIN
 WEIGHT, EMPTY - 2.35KG

COPYRIGHT CONTAINED IN THIS DRAWING IS THE PROPERTY OF INNOVATIVE TECHNOLOGY LTD

REFERENCE ONLY ITL RESERVES THE RIGHT TO CHANGE SPECIFICATIONS WITHOUT NOTICE		FINISH:	TOOL No:
DRAWN: JR	DATE: 17-3-09	MATERIAL:	SCALE: NTS
CHECKED:	DATE:		DRG NO: GA400
ALL DIMENSIONS SHOWN ARE NOMINAL SIZES DO NOT SCALE IF IN DOUBT - ASK!!!		ISSUE: D	
3rd ANGLE PROJECTION INNOVATIVE TECHNOLOGY LTD DERKER ST., OUPHAM ENGLAND, O.U.T. REC TEL 0181 628 9959 FAX 0181 625 2080		TITLE: SMARTHOPPER OUTLINE DIMENSIONS	
ISSUE No	MOD No	DATE	MOD BY
CNO GENERATED - MODS TO BE ELECTRONIC			